

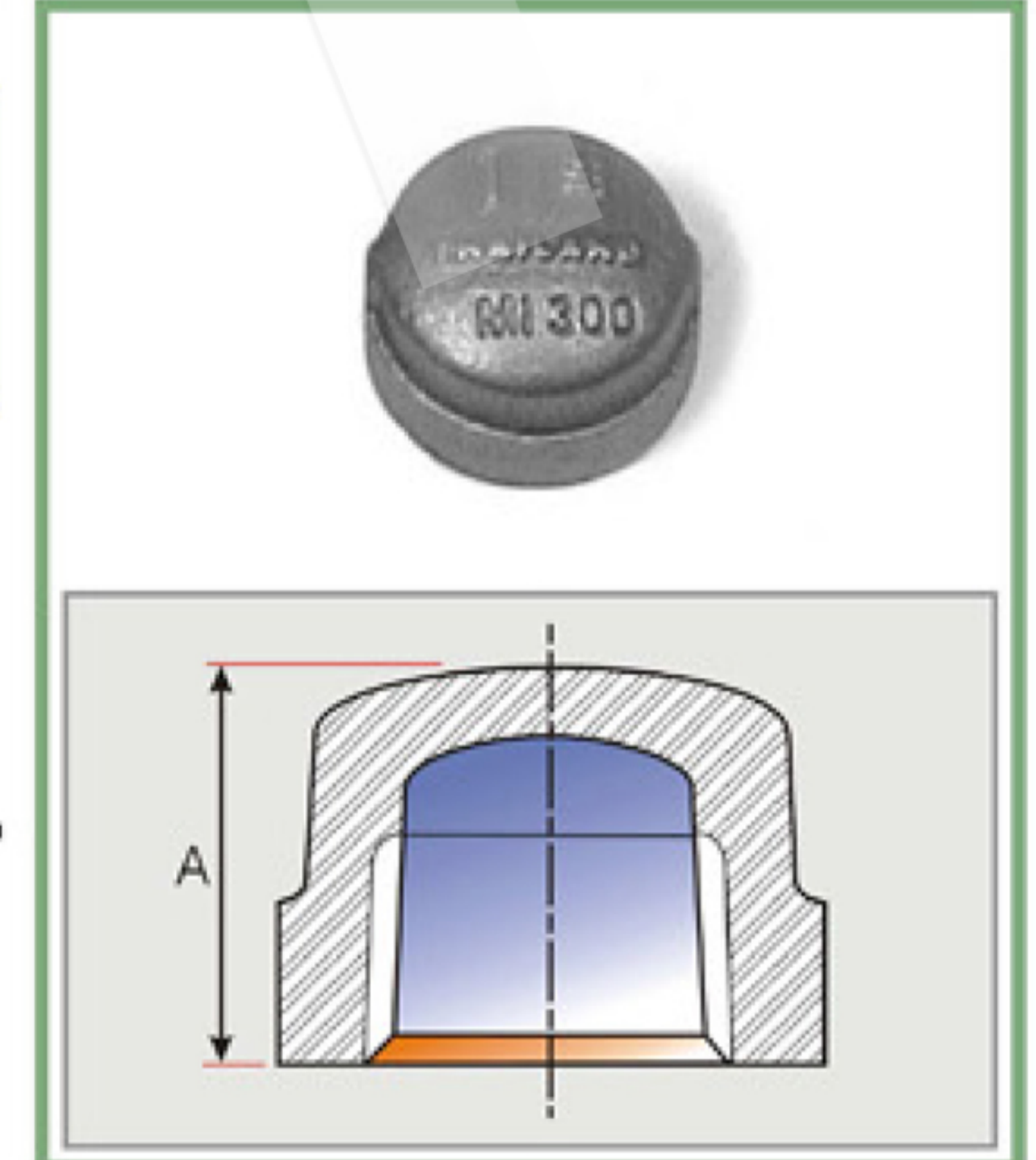
PACKING LISTS and SPECIFICATION STANDARD

MALLEABLE IRON PIPE FITTINGS CLASS 300 lbs.

Size (inch)	Dimensions A	Inner Box Pcs./Box	Master Ctn. Pcs./Ctn.	NO. of Inner Box	Weight/Pcs.	N.W./Ctn. (Kgs.)
3/8	21.1	120	240	2	0.0620	15
1/2	24.9	80	160	2	0.0994	16
3/4	27.4	50	100	2	0.1524	15
1	32.0	30	60	2	0.2450	15
1 1/4	35.0	20	40	2	0.3992	16
1 1/2	36.3	15	30	2	0.5014	15
2	42.7	10	20	2	0.8420	17
2 1/2	56.0	8	16	2	1.3260	21
3	60.0	5	10	2	2.1080	20
4	70.0	3	6	2	3.1370	19

CAPS

BXHCA



* THE ACTUAL WEIGHT CAN VARY BY $\pm 3\%$